



## PLANT GROWTH LIGHT

Assembly instructions for LED growth lamps

**IMPORTANT! Read carefully before use!**



Thank you for purchasing the LED GL. This manual describes the mounting and installing of the product and also describes how to use the product. Mounting and installing of the LED GL can only be executed by certified service personnel. Please read and understand this manual completely before using the product.

## General notes

Luminaire for standard application in damp areas and indoor areas. Keep this assembly instruction safe for maintenance and dismantle or provide it to the adequate staff. The product may not be used outdoors. The LED growth lamp functions optimal when the ambient temperature is between -10~35° C.

## Safety notes

- ✓ The Luminaire can only be installed by electrician.
- ✓ Cut the power supply during the installation.
- ✓ Never install defective luminaire.
- ✓ Work on the luminaire only in voltage free condition.

## Other notes

- ✓ The luminaire intended for indoor use (ambient temperature 25°C ).
- ✓ Never touch LED-modules, neither in operating mode nor in the off state.
- ✓ Before the first operation, remove the LED surface protection plastic sheet.
- ✓ In case of the issues of problems with chemical resistance, choose cleaning materials which are suitable for plastic.

## Overview

- ✓ More than 2.8  $\mu\text{mol}$  efficiency per joule.
- ✓ Compared with the 1000W DE lamp, this lamp can provide more than 15% of the light for the plant canopy, while saving 35% of the electricity.
- ✓ After connecting the controller, the PPF output can be accurately controlled.
- ✓ Low profile maximizes vertical growing space with remote capable drive.
- ✓ 120-277V Driver optional.
- ✓ Damp location rated protection against water and dust.
- ✓ Maintenance-free and 5 year warranty.



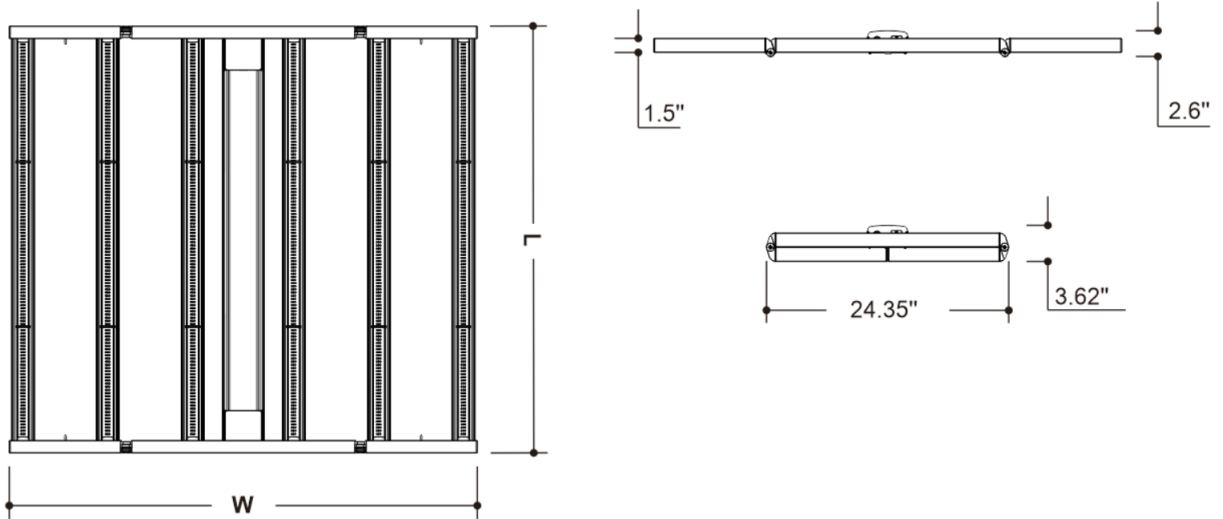
# USER MANUAL

## Electrical specification

Nominal electrical AC input\*

AC VOLTAGE	120V	230V	240V	277V
AC Current	6.48A	3.27A	3.14A	2.75A
AC Power	777W	747W	746W	743W
Power Factor	0.99	0.99	0.99	0.98

## Product dimension



Item	Watts @ Max	Dimension(L*W*H):Inch		
M-GL02E114	200W	22.8	11.3	2.2
M-GL02E124	250W	42.8	11.3	2.2
M-GL05E224	520	42.8	22.6	2.2
M-GL07E344	780	42.8	47.21	2.2
M-GL12E546	1200W	42.8	68	2.2
M-GL14E646	1400W	42.8	70.94	2.2

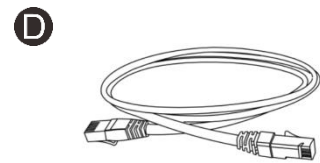
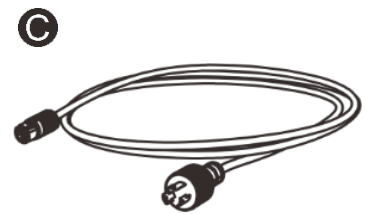
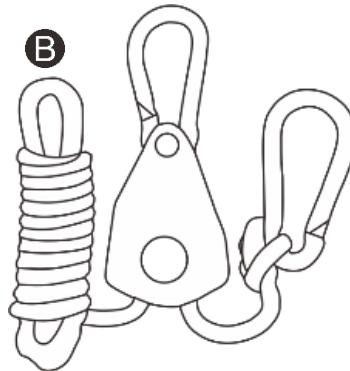
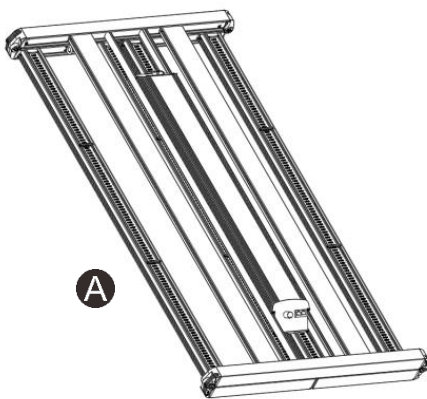
## Parts list

A: GL-fixture

B: Hanger (x2)

C: 10 F AC cable (x1)

D: 10 F Net cable (x1)



## Caution:

- ✓ Avoid eyes exposure to the light source directly while it is on.
- ✓ Account for small parts and recycle or dispose of packing material properly.



## WARNING-POSSIBLE RISK OF INJURY TO EYES AND SKIN

Hazardous UV, HEV, and IR radiation may be emitted from light source. Always wear personal protective equipment ensuring complete shielding of skin and eyes. Avoid prolonged exposure and looking directly at light source.

### WARNINGS

Please read these installation instructions carefully and keep it on hand. Before installing, servicing, or performing the routine maintenance, follow these general precautions:

- ✓ For the installation: if you are unsure about the installation or maintenance of this fixture, consult a qualified licensed electrician and check your local electrical codes.
- ✓ Do not make any holes in the housing of the electrical components during the installation of the lamp.
- ✓ Turn off the power and unplug fixture when you perform any maintenance or cleaning activity.
- ✓ Verify that supply voltage is correct by comparing it with the information on spec label.
- ✓ Avoid hitting, bending or causing mechanical stress to the fixture.
- ✓ DO NOT cover or block any part of the fixture during operation.
- ✓ To ensure optimal performance, the back of the lighting panels may require periodic cleaning. Clean with compressed air or damp lint free cloth.
- ✓ 12" Clearance must be maintained from any combustible surface.
- ✓ Always provide a well-ventilated environment where ambient temperatures do not exceed 35°C (99°F) regardless of whether the fixtures are on or off. Excessive temperatures can inhibit performance and may cause damage or shorten the life of the fixtures and void the warranty.
- ✓ Do not operate or store fixtures in the facility unless an appropriate environmental cooling system is in operation. facilities that shut down the cooling system may cause excessively high ambient temperatures, Which can lead to premature failure of the fixture.
- ✓ When calculating cooling needs for your facility, take BTU load generated by LED fixtures into consideration.
- ✓ This LED fixture is intended for indoor use only. Avoid high pressure jets of water.
- ✓ Do not expose the fixture to the sulfur dioxide compound. If sulfur burner is part of your practice, please make sure to remove the fixtures prior to this process.

### Additional safety warnings:

- ✓ Cables shall not be concealed or extended through a wall, floor, ceiling, or other parts of the building structure.
- ✓ Cables shall not be located above a suspended ceiling or dropped ceiling; permanently affixed to the building structure.
- ✓ Cables shall be routed so that they are not subject to strain and are protected from physical damage; and visible over their entire length.
- ✓ Cables shall be used within their rated ampacity as determined for the maximum temperature of the installed environment specified in the instructions.
- ✓ This device complies with part 15 of the FCC Rules. Operation is subject to the following two conditions:
  - (1) This device may not cause harmful interference;
  - (2) This device must accept any interference received, including interference that may cause undesired operation.

# USER MANUAL

## Installation

Before you start the installation, make sure to address the following: This fixture installation requires a flat, clean and soft surface at least 5'x4' (e.g.: blanket, foam...etc).

Step 1. Take out the lighting fixture from package carefully, place it on a flat platform. Unfold panels of the light fixture so that LEDs are downward.

Step 2. Installation of end sling, Ensure hinge is fully extended, see Fig. 1.

Step 3. Suspended mounting, Through the end rails, see Fig. 2.

Step 4. mounting height, see Fig. 3.

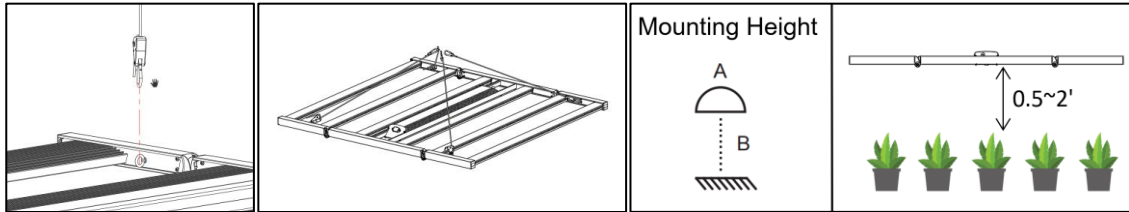


Fig. 1

Fig. 2

Fig. 3

## Warning!

Do not connect or disconnect the power cable to the LED fixture under load.

Power cable harness sold separately based upon your specific requirements, (@200W, 250w, 520w and 780w, see Fig. 4).

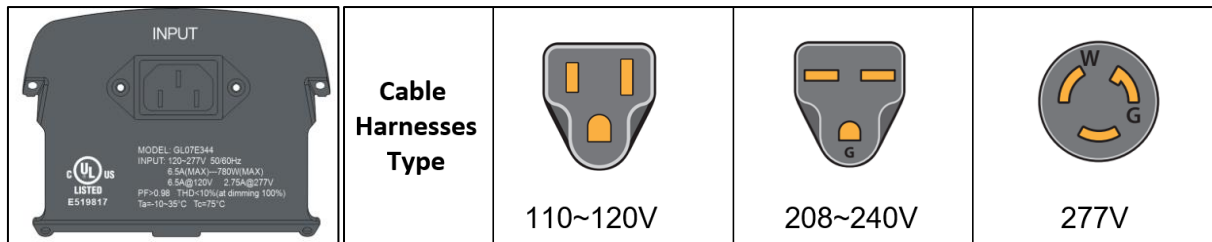


Fig. 4

Power cable harness sold separately based upon your specific requirements, (@1200W, 1400w, see Fig. 5).

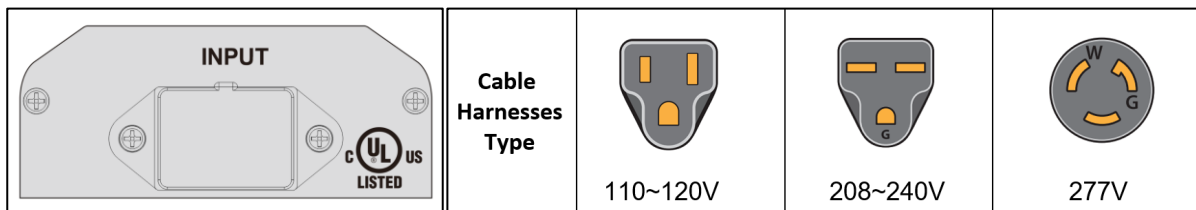


Fig. 5

## Dimming Solutions

Single lamp control: According to the different growth period of hemp, different light intensity was selected, If you use the LED fixture stand alone, 6-Section knob switch:

- ✓ EXT: Switch to controller networking dimming. At this time, the single lamp dimming failure.
- ✓ OFF: Lights off.

# USER MANUAL

- ✓ 50% / 60% / 80%/100%: Dimming level (@200W and 250w, see Fig. 6).
- ✓ 250W / 350W / 420W / 520W: Dimming level (@520W , see Fig. 7).

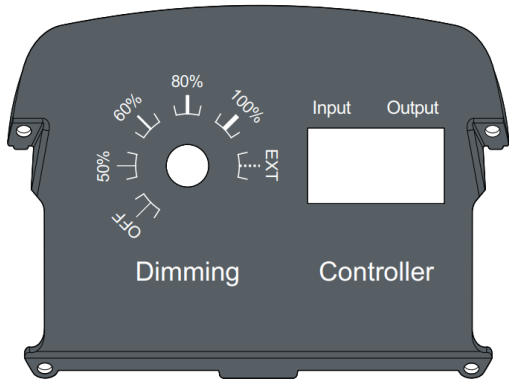


Fig. 6

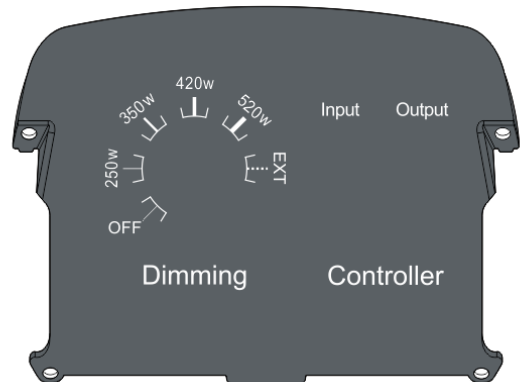


Fig. 7

- ✓ 420W / 520W / 680W / 780W: Dimming level (@780W , , see Fig. 8).
- ✓ 680W / 780W / 960W / 1200W: Dimming level (@1200W , see Fig. 9).



Fig. 8

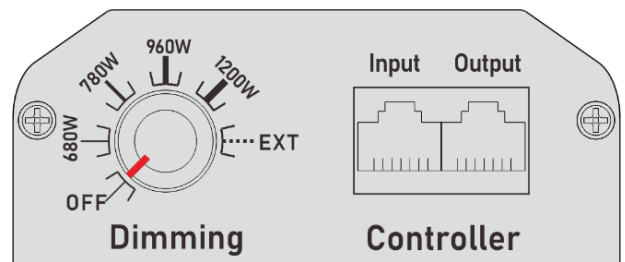


Fig. 9

- ✓ 780W / 960W / 1200W / 1400W: Dimming level (@1400W , see Fig. 10).

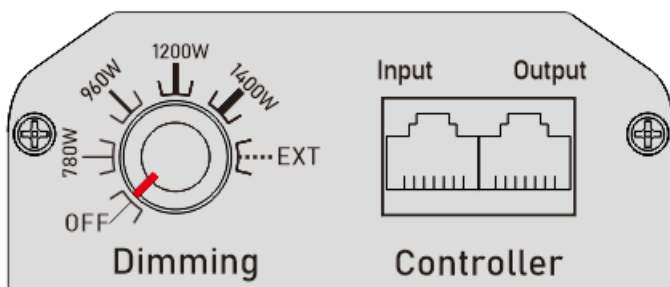


Fig. 10

## Connecting multiple LED fixtures to a controller

- ⚠ Warning! Mounting and installing of the adapter(s) may only be executed by certified service personnel, in accordance with the applicable local laws and regulations.
- ⚠ Warning! The installer is responsible for correct and safe installation.

- ⚠ Warning! Ensure the local cabling can support the voltage and current requirements of the LED fixture and E-series adapter.
- ⚠ Warning! Avoid coiled cords and keep mains leads separated. This prevents electromagnetic interference.
- ⚠ Warning! Do not connect or disconnect the LED fixture under load.

## Preparation for use with a controller

Using a daisy chain setup, a maximum of 80 M-series lamps can be connected to one controller. Up to 500 M-series lamps per daisy chain can be connected when using splitters. See the manual of the controller.

## Connecting up to 60 M-series lamps

Remove the dummy plug from the input port on the LED controller, Keep the dummy in a safe place! The dummy is necessary to operate the main controller in standalone mode.

- ✓ Use the controller cable (RJ45 - RJ9) to connect the controller output port on the main controller.
- ✓ Use interconnect cable (RJ45 - RJ45) to connect the output port of distract controller to the input port of the first lamp control panel. see Fig. 6.
- ✓ Use interconnect cable (RJ45 - RJ45) to connect the output port of the first lamp control panel to the input port of the second lamp control panel.
- ✓ Repeat these steps to connect up to 60 M-series lamps. see Fig. 8.
- ✓ Pin Description: Pin 1 and 2 / DC12V+, red line; Pin 3 and 4 / DC12V-, black line; Pin 5 and 6 / Dim-, green line; Pin 7 and 8 / Dim+, yellow line; see Fig. 7, Fig. 8.



Fig. 6

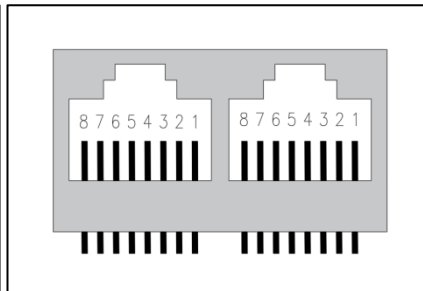


Fig. 7

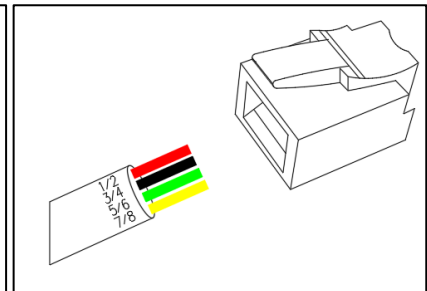


Fig. 8

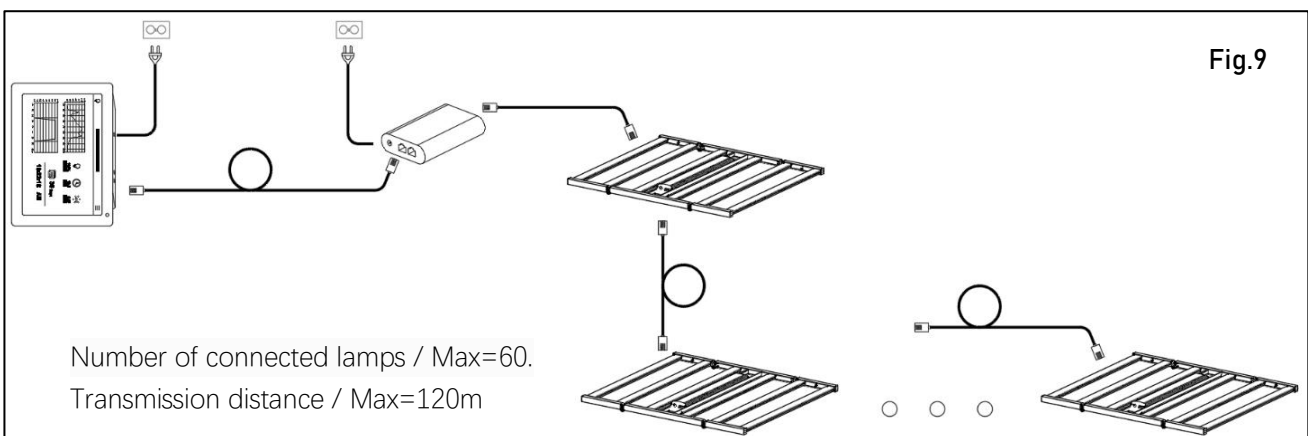


Fig.9

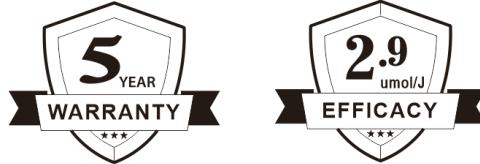
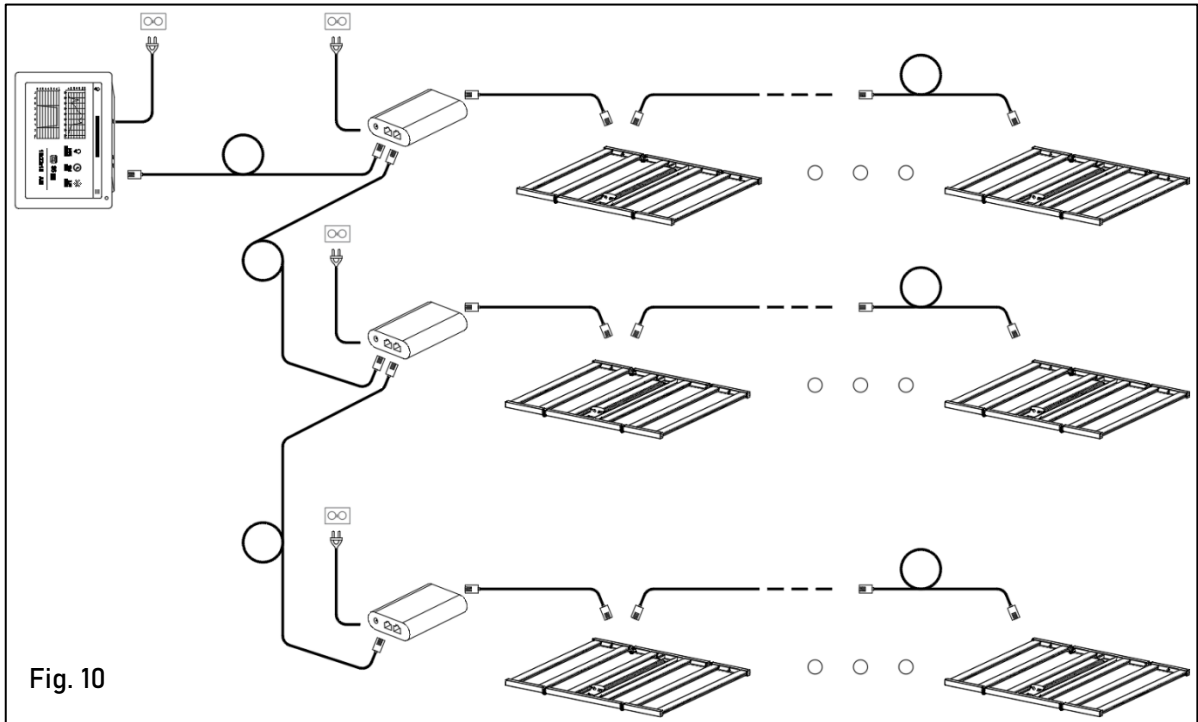
## Connecting up to 500 or 1000 M-series lamps

- ✓ Use the controller cable (RJ45 - RJ9) to connect the primary channel of the controller to the input port of the first distract controller.



# USER MANUAL

- ✓ Use the controller cable (RJ45 - RJ9) to connect the first channel of distract controller to the input port of the first distract controller.
- ✓ Repeat these steps to connect up to 500 M-series lamps. see Fig. 9.



## LIMITED WARRANTY

Warrants Plant Growth light to be free from defects in materials and workmanship. The warranty term is for 5 years beginning on the date of purchase. Misuse, abuse, or failure to follow instructions is not covered under this warranty. Warranty liability extends only to the replacement cost of the product. Warranty will not be liable for any consequential, indirect, or incidental damages of any kind, including lost revenues, lost profits, or other losses in connection with the product. Some states do not allow limitation on how long an implied warranty lasts or the exclusion of incidental or consequential damages, so the above limitations or exclusions may not apply to you. To request warranty service, please return Plant Growth light, with original sales receipt and original packaging, to your place of purchase. The purchase date is based on your original sales receipt.



Instructions: revised -July 8, 2021 12:00 pm